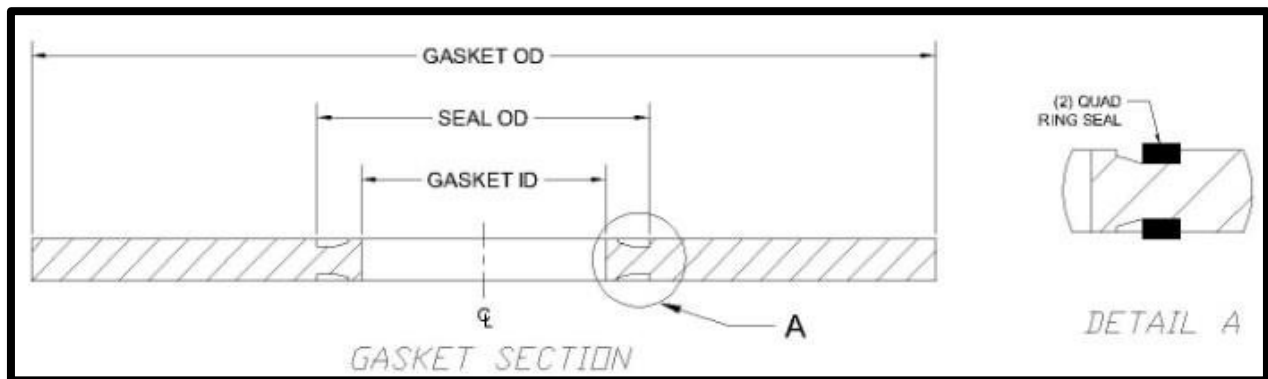


LINEBACKER Data Sheet (HT)



Gasket Properties*

Carrier: NEMA Grade G11

Color: Natural Tan (Tint may vary)

Fluid Services: Oil, Gas and Water

Maximum Operating Temperature (°F/°C): 392°F/ 200°C

Minimum Operating Temperature: (minus): -50°F/ -45°C

Maximum Pressure Class: ASME 900#/API 3,000

Typical Physical Properties*

Water Absorption (%): ASTM .09 Typical

NEMA Grade G10 Mechanical Properties*

Tensile Strength (PSI):

41,000

(ASTM D638)

Flexural Strength (PSI):

57,000

(ASTM D790)

Flexural Modulus (Kpsi) LW/CW: 2,900/ 2,600

(ASTM D790)

Compressive Strength (PSI): 50,000

Thermal Properties*

Coefficient of Linear Thermal

Expansion (thickness tested .125") X-axis / Y-axis:

10.0 / 13.0 (IPC-TM 650-2.4.24)

Flammability Rating: Fire retardant

Electrical Properties*

Dielectric Strength (V/mil): 550

Isolation Kit Options:

Seal Types: Nitrile, Gylon®, Viton, EPDM

Sleeves: G11 only

Washers: G11, ZPS, Stainless Steel

GRE Options: Only G11

Notes:

This is a general guide and should not be the sole means of selecting or rejecting this material.

* Values do not constitute specification Limits

1See GPT chemical resistance guide.

2All isolation products are affected by exposure to heat and moisture where electrical isolation is concerned. Please note that field values may vary from test values due to exposure to one or both of these environmental factors.